



DATE Mar. 29, 2010

NO. SBT-03329

Messrs. _____

SPECIFICATION

FOR

600V EP RUBBER INSULATED AND POLYCHLOROPRENE

SHEATHED FLEXIBLE CABLE

(2PNCT-B)

Project : _____

Prepared by

Y.OI

Senior Design Engineer
Design & Engineering Group
Engineering Department
Industrial & Telecommunication Cable Division

Approved by

R.TONEGAWA

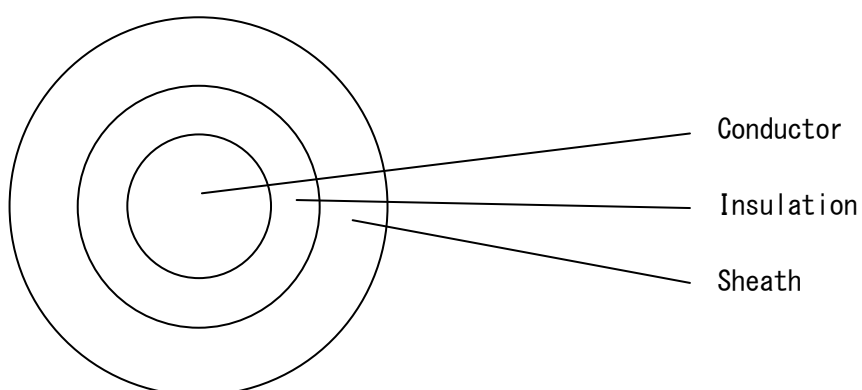
Group Manager
Design & Engineering Group
Engineering Department
Industrial & Telecommunication Cable Division

Fujikura Ltd.

CONSTRUCTION DATA (1)

Type of cable		2PNCT-B
No. of core		1
Conductor * TA	Nominal sectional area (mm ²)	50
	No. and dia. of wire (No./mm)	19/22/0.4
	Approx. dia. of conductor (mm)	10.9
Thick. of insulation (mm)		1.5
Colour code		Black
Thick. of sheath (mm)		2.2
Overall dia.	Standard (mm)	18.1
	Maximum (mm)	19.0
Approx. net weight (kg/km)		730
Testing voltage (V/1 min.)		3000
Max. conductor resistance at 20°C (Ω/km)		0.393
Min. insulation resistance at 20°C (MΩ-km)		200

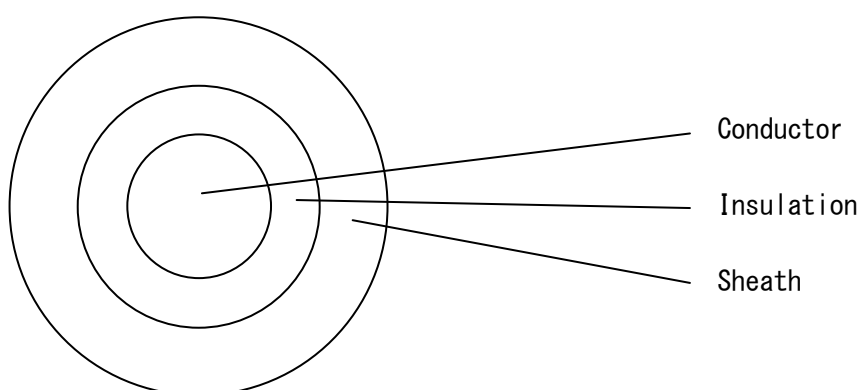
* TA : Tinned annealed copper wire



CONSTRUCTION DATA (2)

Type of cable		2PNCT-B
No. of core		1
Conductor * TA	Nominal sectional area (mm ²)	70
	No. and dia. of wire (No./mm)	19/19/0.5
	Approx. dia. of conductor (mm)	12.6
Thick. of insulation (mm)		2.0
Colour code		Black
Thick. of sheath (mm)		2.4
Overall dia.	Standard (mm)	21.2
	Maximum (mm)	22.3
Approx. net weight (kg/km)		990
Testing voltage (V/1 min.)		3000
Max. conductor resistance at 20°C (Ω/km)		0.277
Min. insulation resistance at 20°C (MΩ-km)		300

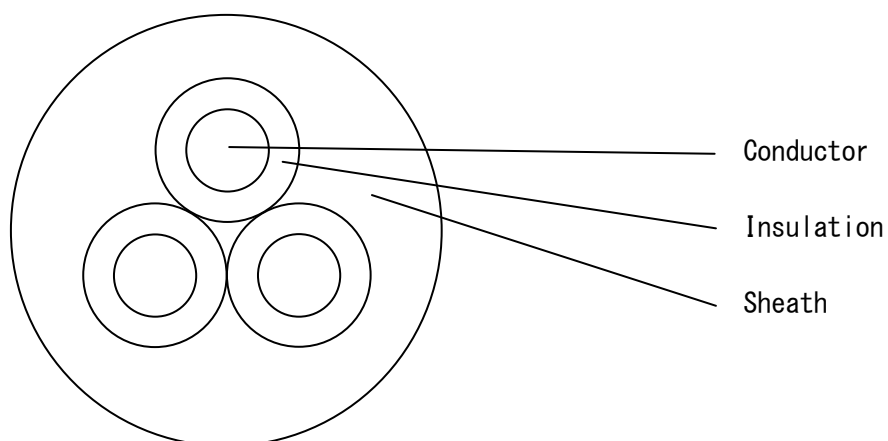
* TA : Tinned annealed copper wire



CONSTRUCTION DATA (3)

Type of cable		2PNCT-B
No. of core		3
Conductor * TA	Nominal sectional area (mm ²)	25
	No. and dia. of wire (No./mm)	7/29/0.4
	Approx. dia. of conductor (mm)	7.5
Thick. of insulation (mm)		1.2
Colour code		Black, White, Red
Thick. of sheath (mm)		2.7
Overall dia.	Standard (mm)	26.6
	Maximum (mm)	27.9
Approx. net weight (kg/km)		1360
Testing voltage (V/1min.)		3000
Max. conductor resistance at 20°C (Ω/km)		0.819
Min. insulation resistance at 20°C (MΩ-km)		300

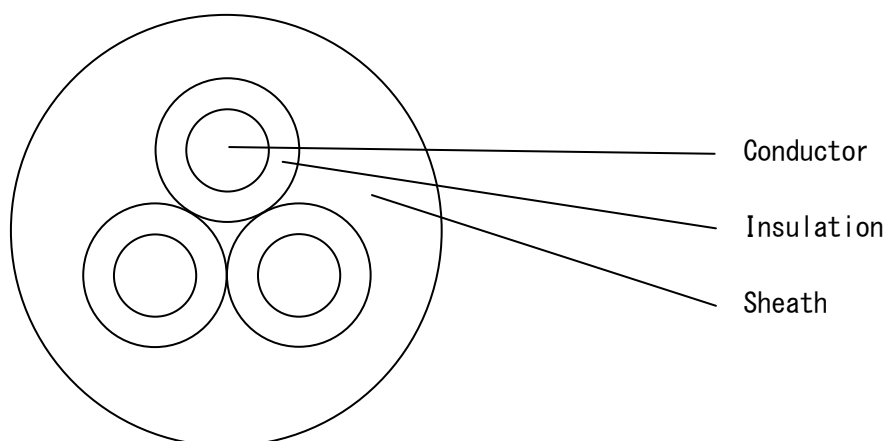
* TA : Tinned annealed copper wire



CONSTRUCTION DATA (4)

Type of cable		2PNCT-B
No. of core		3
Conductor * TA	Nominal sectional area (mm ²)	120
	No. and dia. of wire (No./mm)	19/32/0.5
	Approx. dia. of conductor (mm)	16.4
Thick. of insulation (mm)		2.0
Colour code		Black, White, Red
Thick. of sheath (mm)		4.2
Overall dia.	Standard (mm)	52.1
	Maximum (mm)	54.7
Approx. net weight (kg/km)		5630
Testing voltage (V/1min.)		3000
Max. conductor resistance at 20°C (Ω/km)		0.169
Min. insulation resistance at 20°C (MΩ-km)		200

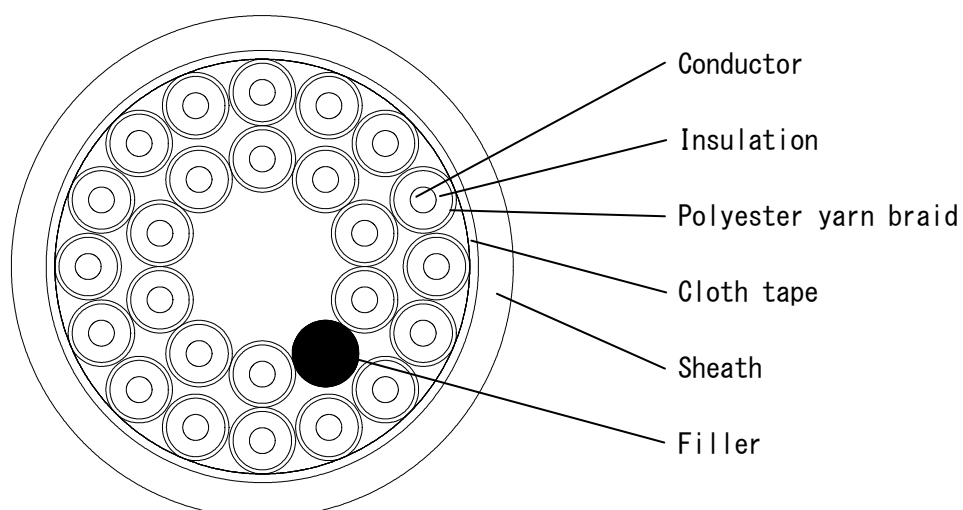
* TA : Tinned annealed copper wire



CONSTRUCTION DATA (5)

Type of cable		2PNCT-B
No. of core		25
Conductor * TA	Nominal sectional area (mm ²)	6
	No. and dia. of wire (No. /mm)	82/0.3
	Approx. dia. of conductor (mm)	3.1
Thick. of insulation (mm)		1.0
Approx. thick. of polyester yarn braid (mm)		0.15
Colour code		1st : White×7, Black, Red 2nd : White×14, Black, Red
Approx. thick. of cloth tape (mm)		0.3
Thick. of sheath (mm)		3.6
Overall dia.	Standard (mm)	41.6
	Maximum (mm)	43.7
Approx. net weight (kg/km)		2700
Testing voltage (V/1min.)		3000
Max. conductor resistance at 20°C (Ω/km)		3.49
Min. insulation resistance at 20°C (MΩ-km)		400

* TA : Tinned annealed copper wire



CONSTRUCTION DATA (6)

Type of cable	2PNCT-B	
No. of core	30	
Conductor * TA	Nominal sectional area (mm ²)	2.5
	No. and dia. of wire (No./mm)	49/0.25
	Approx. dia. of conductor (mm)	2.0
Thick. of insulation (mm)	0.8	
Approx. thick. of polyester yarn braid (mm)	0.15	
Colour code	1st : White X 2, Black, Red 2nd : White X 8, Black, Red 3rd : White X 14, Black, Red	
Approx. thick. of cloth tape (mm)	0.3	
Thick. of sheath (mm)	3.0	
Overall dia.	Standard (mm)	31.5
	Maximum (mm)	33.1
Approx. net weight (kg/km)	1430	
Testing voltage (V/1 min.)	3000	
Max. conductor resistance at 20°C (Ω/km)	8.46	
Min. insulation resistance at 20°C (MΩ-km)	500	

* TA : Tinned annealed copper wire

